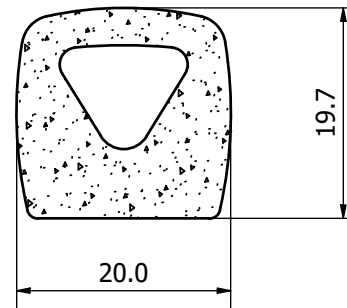
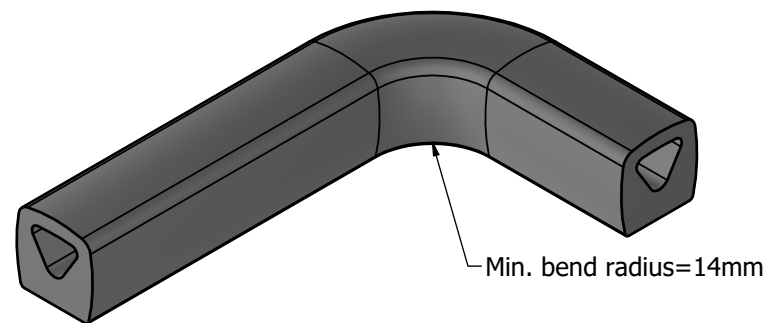
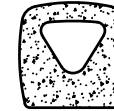


Isometric view - White (1 : 1)

Front view (2 : 1)



Front view (1 : 1)



Isometric view - Black (1 : 1)

NOTES:

- FINISH UNLESS OTHERWISE INDICATED:
- MATTE SATIN FINISH
- ALL DIMENSIONS IN mm, UNLESS OTHERWISE INDICATED.
- TOLERANCE, UNLESS OTHERWISE INDICATED:
- LINEAR $\pm 0.1\text{mm}$
- ANGULAR $\pm 0.5^\circ$
- DO NOT SCALE

TITLE:				HC-H-D-W-2020 (white seal) HC-H-D-B-2020 (Black seal)		
PART NO.:				HC-H-Expanded silicone D -seal		
	DWG NO.:	HC-H-Silicon D-Seal.idw	SHEET:	1 OF 1	REV:	A
	DRAWN BY:	KC Jansen	Sheet Size:	A3	Scale:	1 : 1
	DATE:	2021/10/11	CHECKED BY:			